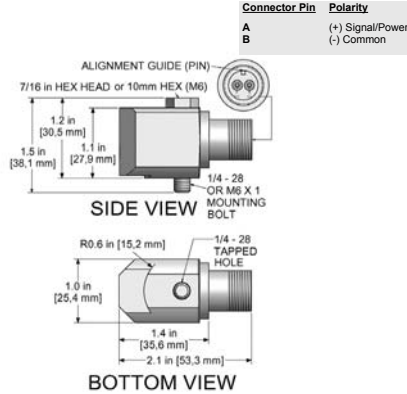


AC108 Series

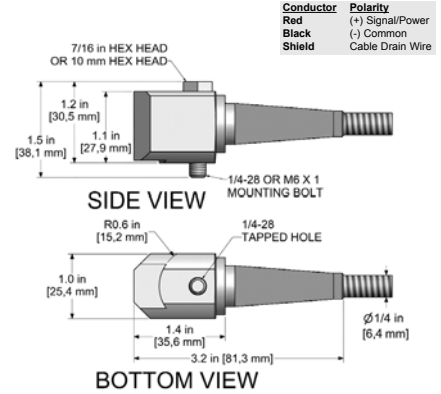
High Temperature Accelerometer, Side Exit Connector / Cable, 100 mV/g



AC108-1A 2 Pin Connector



AC108-5A Armored Integral Cable



<p>Part Numbers & Ordering Information:</p> <p>When Ordering Metric, add "M" prefix. (Example: M/AC108-5A/010-Z)</p>	<p>AC108-1A High Temperature accelerometer, 100 mV/g, 2 pin side connector</p>	<p>AC108-5A/010-Z 10 ft. (3 m), blunt cut end</p> <p>AC108-5A/020-Z 20 ft. (6 m), blunt cut end</p> <p>AC108-5A/030-Z 30 ft. (9 m), blunt cut end</p> <p>AC108-5A/050-Z 50 ft. (15 m), blunt cut end</p> <p>AC108-5A/100-Z 100 ft. (30 m), blunt cut end</p> <p>AC108-5A/010-F 10 ft. (3 m), BNC plug connector</p> <p>AC108-5A/020-F 20 ft. (6 m), BNC plug connector</p> <p>AC108-5A/030-F 30 ft. (9 m), BNC plug connector</p> <p>AC108-5A/050-F 50 ft. (15 m), BNC plug connector</p> <p>AC108-5A/100-F 100 ft. (30 m), BNC plug connector</p>
	* Custom Lengths Available Upon Request	

Performance Specifications	English	Metric	Environmental	English	Metric
Sensitivity ±10%	100 mV/g	100 mV/g	Temperature Range	-58 to 302° F	-50 to 150° C
Frequency Response			Maximum Shock Protection	5,000 g, peak	5000 g, peak
±3 dB	60-480,000 CPM	1,0-8000 Hz	Electromagnetic Sensitivity	CE	CE
±10%	120-180,000 CPM	2,0-3000 Hz	Sealing	Welded, Hermetic	Welded, Hermetic
Dynamic Range	±50 g, peak	±50 g, peak	Physical		
Electrical			Sensing Element	PZT Ceramic	PZT Ceramic
Settling Time (Turn on Time)			Sensing Structure	Shear Mode	Shear Mode
@ Room Temp (68°F/20°C)	<2.5 Seconds	<2.5 Seconds	Weight	5.1 oz.	145 grams
Power Requirement			Case Material	316L Stainless Steel	316L Stainless Steel
Voltage Source	18-30 VDC	18-30 VDC	Mounting Hole	1/4-28	M6x1
Constant Current Excitation	2-10 mA	2-10 mA	Connector (AC108-1A)	2 Pin MIL-C-5015	2 Pin MIL-C-5015
Electrical Noise (Typical)			Armored Cable (AC108-5A)	CB206, Armor Jacket	CB206, Armor Jacket
Broadband 2.5 Hz to 25 kHz	200 σg, rms	200 σg, rms	Mechanical		
Spectral 10 Hz	14 σg/√Hz	14 σg/√Hz	Resonant Frequency	1,200,000 CPM	20000 Hz
100 Hz	2 σg/√Hz	2 σg/√Hz	Mounting Torque	2 to 5 ft. lbs.	2,7 to 6,8 Nm
1000 Hz	1.4 σg/√Hz	1.4 σg/√Hz	Supplied Accessories		
Output Impedance, Max	<100 ohm	<100 ohm	Mounting Hardware	1/4-28 Captive Bolt	M6x1 Captive Bolt
Bias Output Voltage	10-14 VDC	10-14 VDC	Calibration Certificate	CA10	CA10
Electrical Case Isolation	>10 ⁸ ohm	>10 ⁸ ohm			

Common Applications

Industries Served

- Automotive
- Pharmaceutical
- Wastewater Treatment
- Manufacturing
- Power
- Military
- Pulp and Paper
- Mining
- Steel

Typical Applications

- Air Compressors
- Cooling Towers
- Gear Boxes
- Pumps
- Turbines <302° F (150° C)
- Air Handlers
- Dryer Sections <302° F (150° C)
- Motors
- Pumps, Underwater
- Compressors
- Fans
- Press Sections
- Roll and Process Equipment
- Conveyors
- Fourdriners
- Presses and Stamping
- Spindles

Measurement Types

- Permanent Mount

For optional accessories, please see the [Sensor Accessory Selection Chart](#).



VIBRATION ANALYSIS HARDWARE