

XE100 Series

Vibration Transmitter Enclosure, 1 - 12 Transmitters

Specifications

Electrical

Inputs	Screw Terminal Block, 3 Inputs per Channel (+,-,Shield) (VT or VX Series)
Output	BNC Jack for Dynamic Signal and Terminal Blocks for 4-20 mA outputs
Power	100-240 VAC

Enclosure

Rating	NEMA 4X (IP66)
Door Closure	Twist Latch
Material	Fiberglass

Environmental

Temperature Rating (Enclosure Only)	-50° to 180° F (-46° to 82° C)
Resistance	Resistant to Hose Directed Fluid and Corrosion

Features

- Provides a dynamic signal along with a 4-20 mA output from remote installed accelerometers to portable data collectors and to PLC/DCS systems
- Withstands harsh factory environments
- Systems available for 1-12 vibration transmitters in one enclosure
- Accepts inputs from accelerometers
- For use with VX Series & VT Series Vibration Transmitters
- Includes DC Power Supply, switchable 110/220 VAC to 100/240 AC to 24 VDC Power Supply

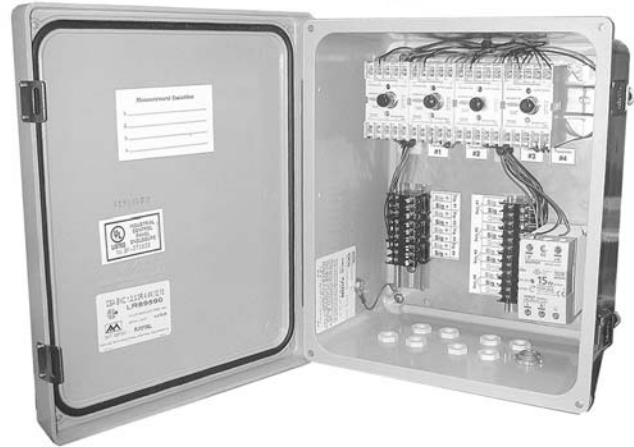
Ordering Information

Part Number	Transmitters (Order Separately)	Factory Installed Cable Entry
XE100-1B	1	*3/4" Conduit Fitting
XE100-1C	1	Cord Grips, Power with Conduit Fitting
XE100-2B	2	*1" Conduit Fitting
XE100-2C	2	Cord Grips, Power with Conduit Fitting
XE100-3B	3	*1" Conduit Fitting
XE100-3C	3	Cord Grips, Power with Conduit Fitting
XE100-4B	4	*1 1/4" Conduit Fitting
XE100-4C	4	Cord Grips, Power with Conduit Fitting
XE100-5B	5	*3/4" Conduit Fitting
XE100-5C	5	Cord Grips, Power with Conduit Fitting
XE100-6B	6	*1" Conduit Fitting
XE100-6C	6	Cord Grips, Power with Conduit Fitting
XE100-7B	7	*1" Conduit Fitting
XE100-7C	7	Cord Grips, Power with Conduit Fitting
XE100-8B	8	*1 1/4" Conduit Fitting
XE100-8C	8	Cord Grips, Power with Conduit Fitting
XE100-9B	9	*1 1/4" Conduit Fitting
XE100-9C	9	Cord Grips, Power with Conduit Fitting
XE100-10B	10	*1 1/4" Conduit Fitting
XE100-10C	10	Cord Grips, Power with Conduit Fitting
XE100-11B	11	*1 1/4" Conduit Fitting
XE100-11C	11	Cord Grips, Power with Conduit Fitting
XE100-12B	12	*1 1/4" Conduit Fitting
XE100-12C	12	Cord Grips, Power with Conduit Fitting

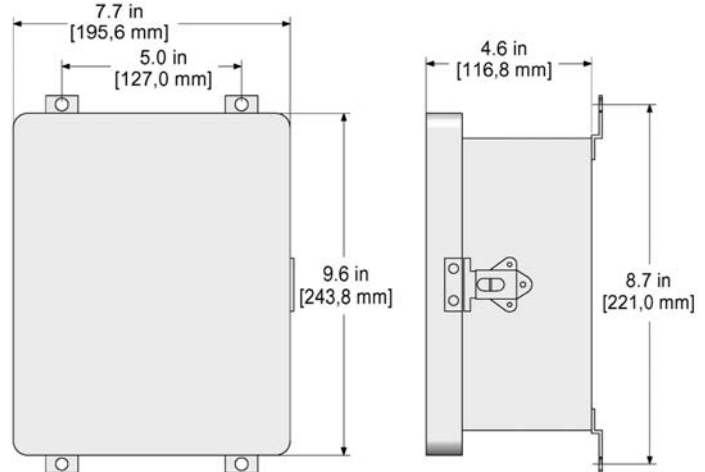
Supplied Accessories: • Mounting brackets • Measurement Location Card
* For use with rigid body conduit.

XE Series includes enclosure, power supply, all connections, and factory pre-wiring for CTC VX or VT series transmitters, which are purchased separately.

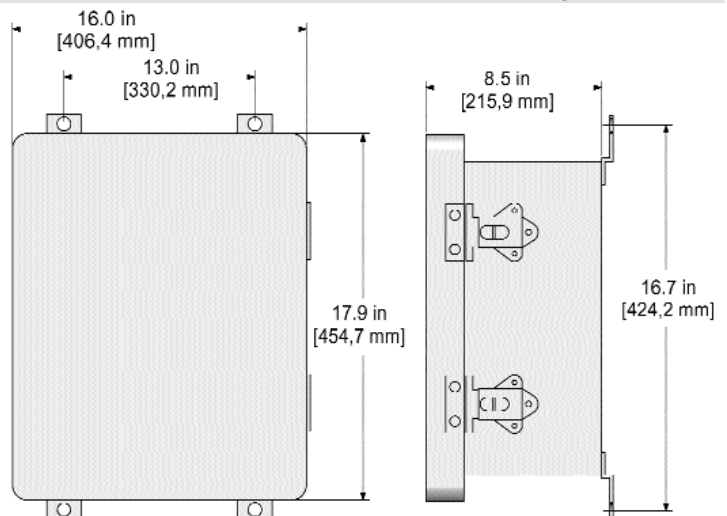
Model XE100-4C Vibration Transmitter Enclosure



1 - 4 Transmitter Enclosure Drawing



5 - 12 Transmitter Enclosure Drawing



Note: In order to identify mounting hole dimensions, mounting feet are not proportionally displayed to the box in the above drawing