

Cable-Extension Position Transducer

Precision Potentiometric Output

Ranges: 0-3, 0-9, 0-15, 0-30 inches

Test Applications • Wet Environments



MT3A

Specification Summary:

GENERAL

Full Stroke Ranges 0-3, 0-9, 0-15, 0-30 inches, min., *see ordering information*
 Output Signal voltage divider (potentiometer)
 Accuracy ± 1 to 0.25% full stroke, *see ordering information*
 Repeatability $\pm 0.02\%$ full stroke
 Resolution essentially infinite
 Measuring Cable $\varnothing.019$ -in. nylon-coated stainless steel
 Enclosure Material anodized aluminum
 Sensor Cover polycarbonate
 Sensor conductive plastic-hybrid potentiometer
 Weight 0.5 lb. max.

ELECTRICAL

Input Resistance 10K ohms ($\pm 10\%$)
 Power Rating, Watts 2.0 at 70° C (derated to 0 @ 125°C)
 Recommended Maximum Input Voltage 30V (AC or DC)
 Output Signal Change Over Measurement Range 94% $\pm 4\%$ of input voltage

MECHANICAL

Measuring Cable Tension 33 (± 10) oz.
 Maximum Measuring Cable Acceleration 47 G's
 Spring Cycle Life 25,000 cycles

ENVIRONMENTAL

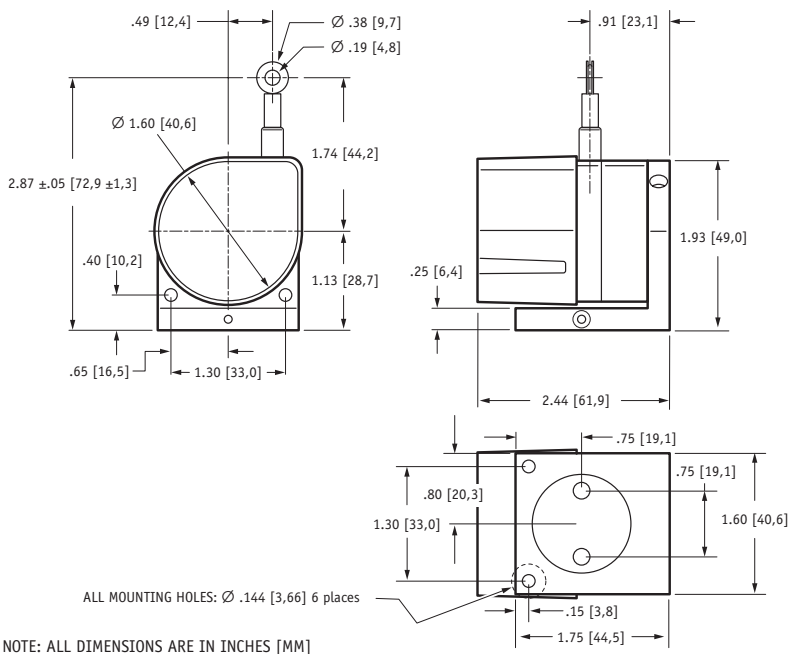
Enclosure NEMA 4 / IP67
 Operating Temperature -40° to 125°C



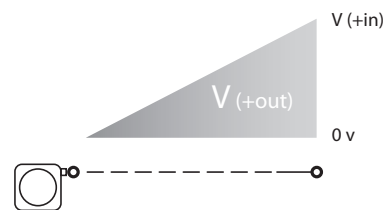
The MT3A is the solution for high-acceleration test applications in potentially wet environments. Just like the MT2A, the MT3A comes in 4 different full-stroke ranges with a high-tension heavy-duty measuring cable designed for the demands encountered in flight testing and automotive crash tests.

The MT3A also has the same 2-axis 360° rotation mounting bracket and is available with either a 15-ft electrical cable or a blank cover that the customer can drill for their own specific connector or strain relief.

Outline Drawing



Output Signal



Schematic

