

String Encoder

Mates To Virtually Any Encoder
 Ranges: 0-25 to 0-50 inches
 Easy Encoder Attachment

PT8600

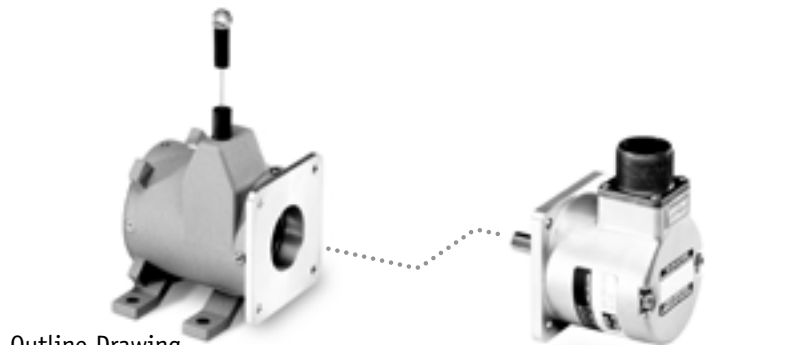
Specification Summary:

GENERAL

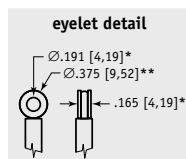
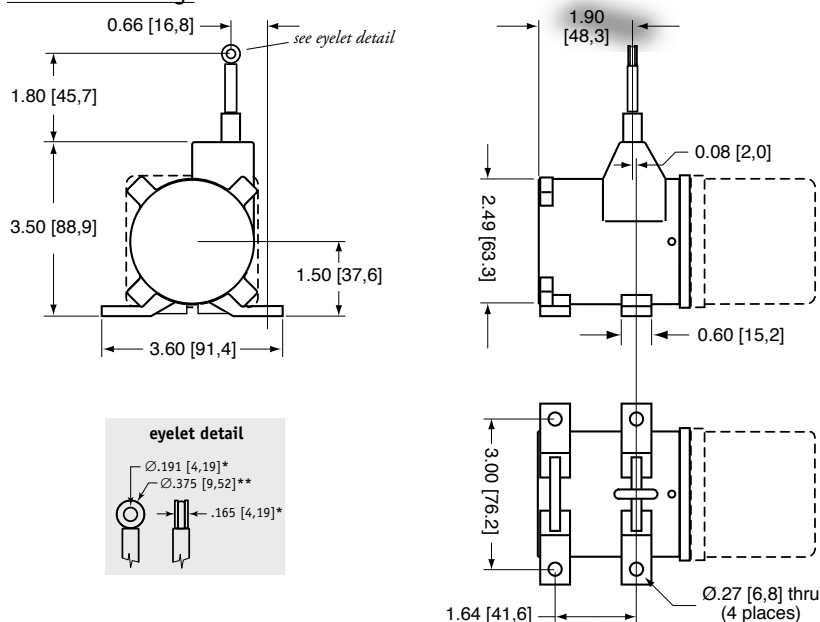
Full Stroke Range Options 0-25, 0-50 in. and 0-625, 0-1250 mm
 Motion Conversion Ratio:
 English Ranges 5 inches per turn, *see ordering information*
 Metric Ranges 125 mm per turn, *see ordering information*
 Accuracy the lesser of 0.02% full stroke or 0.04% of measurement range
 Measuring Cable Options *see ordering information*
 Module Material powder-painted aluminum
 Maximum Allowable Rotational Sensor Torque 1.0 in.-lbs.
 Weight 3 lbs. max.

ENVIRONMENTAL

Operating Temperature -40° to 200°F (-40° to 90°C)



Outline Drawing



DIMENSIONS ARE IN INCHES [MM]
 tolerances are ±0.02 in. [±0,5 mm] unless otherwise noted

* tolerance = +.005 -.001 [+,.13 -.03]
 ** tolerance = +.005 -.005 [+,.13 -.13]

Our unique linear-to-rotational, industrial-grade string encoder module mates to virtually any encoder giving you a cost-effective linear position measurement solution that precisely fits your requirements. The PT8600 takes just minutes to install, fits easily into tight areas, does not require perfectly parallel alignment, and provides reliable and precise position measurements without needing periodic adjustments.

To order, simply select the measurement range, the cable tension and encoder mounting style—it's that easy! We even supply all the necessary encoder mounting tools and attaching hardware. If you can't find your encoder mounting style or you want us to provide the encoder, please give us a call.

Ordering Information:

Model Number:

PT8600 - - - - 1 - - -
order code: R A B C D E

Sample Model Number:

PT8600 - 0025 - 111 - BR - F01

- R** range: 25 inches
- A** measuring cable tension: standard (12 oz.)
- B** measuring cable: .034 nylon-coated stainless
- D** cable guide option: cable brush
- E** rotational sensor mounting style: F01 (2.5-in. sq. flange)

» *Trying to reorder but can't find your existing model number? Please contact factory for help.*

Full Stroke Range:

R order code:	0025	0050	0625	1250
full stroke range, min:	25 in.	50 in.	625 mm	1250 mm

Measuring Cable Tension:

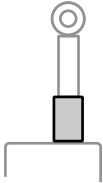
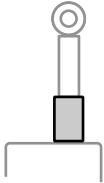
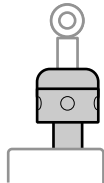
A order code:	1	2
cable tension (±30%)	standard tension	high tension
25, 50-inch ranges:	17 oz. [5 G max. acceleration]	50 oz. [15 G max. acceleration]
625, 1250-mm ranges:	4,2 N [8 G max. acceleration]	13,9 N [30 G max. acceleration]

Measuring Cable:

B order code:	1	2*
measuring cable:	.034 nylon-coated stainless steel	.047 stainless steel
conversion ratio {	english ranges:	1 turn = 5.000 ± 0.0094 in.
	metric ranges:	1 turn = 125,001 ± 0,2394 mm

**25-inch and 625-mm ranges only*

Cable Guide Options:

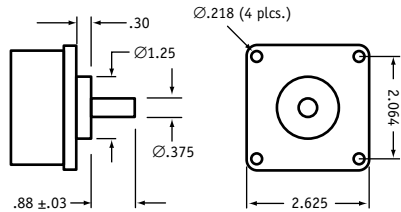
D order code:	blank	SS	BR
	standard cable guide	stainless steel cable guide	integral cable brush
			

Rotational Sensor Mounting Style:

order code:	F01	F02	S01	S02	S04
	2.5-in. Flange Mount 3/8-inch shaft	2-in. Flange Mount 3/8-inch shaft	Face-Mount 6 mm shaft M4 mounting screws	Face-Mount 10 mm shaft M4 mounting screws	Face-Mount 10 mm shaft M3 mounting screws

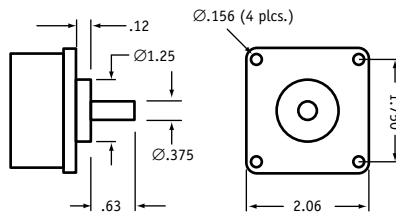
Note: If you don't see your encoder style, please contact factory. All encoder types supported.

F01 - 2½-inch Sq. Flange Mount (3/8-inch shaft)



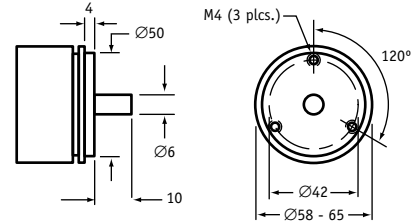
all dimensions are in inches

F02 - 2-inch Sq. Flange Mount (3/8-inch shaft)



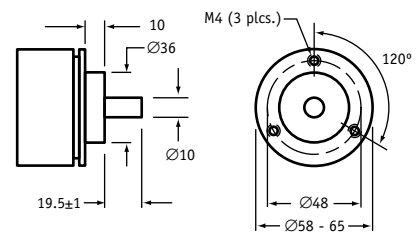
all dimensions are in inches

S01 - Face-Mount (6mm shaft/M4 screws)



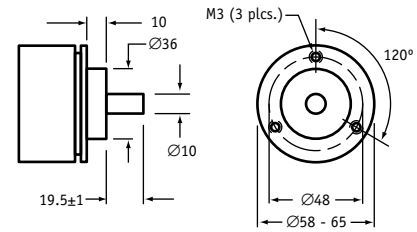
all dimensions are in mm

S02 - Face-Mount (10mm shaft/M4 screws)



all dimensions are in mm

S04 - Face-Mount (10mm shaft/M3 screws)



all dimensions are in mm