

LOW PRESSURE TRANSDUCER/TRANSMITTER

Models 210, 310




FEATURES:

- Wet-wet, gage pressure measurement
- 500 psi pressure overload
- Type 316 stainless all welded construction
- Explosion proof ratings available
- Accuracy to $\pm 0.1\%$ FSO

PRESSURE RANGES:

- From 0-5" wc through 0-200 psi
(See ordering guide)

MODEL	OUTPUT @ 70° F	EXITATION
210	0-5 Vdc FSO	10.2-32 Vdc
310	4-20 mA FSO	13-37 Vdc
210X 310X	Explosion proof rated Class I, II, III, Division I, Groups A, B, C, D, E, F, G. Shaded specifications.	
 APPROVED		

INTERTECHNOLOGY
INC.
1-800-465-1600

1 Scarsdale Road
Don Mills, ON M3B 2R2

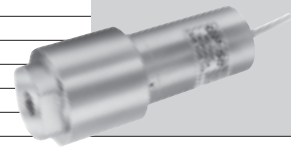
Tel: 416-445-5500

Fax: 416-445-1170

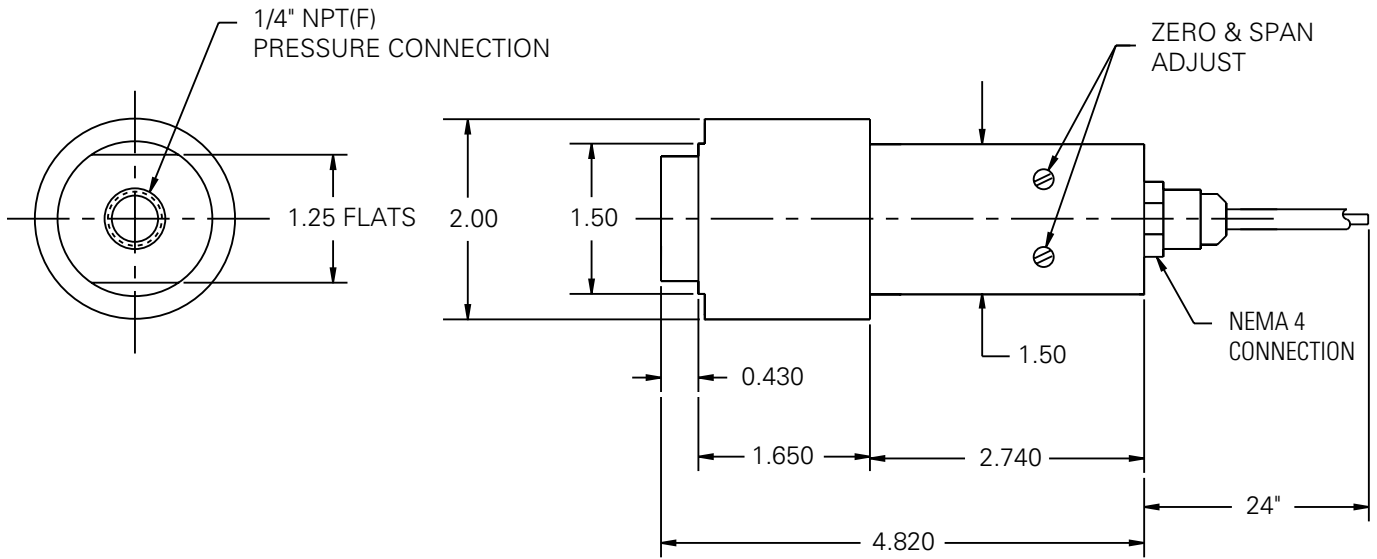
E-Mail: sales@intertechnology.ca
Website: www.intertechnology.com

GENERAL PURPOSE

OUTLINE



Some options will affect dimensions.
Consult factory if important.



WIRING CODE

WIRING CODE

		210	310
A/1	Red	+ Excit.	+ Excit./Signal
B/2	Green	+ Signal	NC
C/3	White	NC	NC
D/4	Black	- Excit./Signal	- Excit./Signal
E/5	Blue	NC Option GH	NC Option GH
F/6	Brown	NC Option GH	NC Option GH
	Shield	Open	Open

SPECIFICATIONS

Unless otherwise stated, these specifications are the standards to which the units are normally constructed. Alterations may be easily and readily accomplished by the standard modification code or by discussion with the factory. We invite your inquiry.

SPECIFICATIONS

Accuracy (non-linearity, hysteresis, non-repeatability)	Series B (Std.) Series C Series D	$\pm 0.5\%$ FSO RSS $\pm 0.2\%$ FSO RSS $\pm 0.1\%$ FSO RSS
Pressure Cavity Material**		316 stainless steel
Resolution		Infinite (0.0001 FSO practical minimum)
Temperature Limits Compensated Operating Storage		+30 Deg F to +170°F +30 Deg F to +170°F -40 Deg F to +200°F
Temperature Compensation** Zero Span		Less than $\pm 2.0\%$ FSO/100°F Less than $\pm 2.0\%$ FSO/100°F
Orientation Shift Zero		1 in CW maximum
Electricals Output Loading (Model 210) Load Impedance (Model 310) Zero Balance Span		3000 ohms minimum 1200 ohms maximum at 37 Vdc Adjustable to $\pm 20\%$ FSO Adjustable to $\pm 20\%$ FSO
Mechanicals Response Time Frequency Response Proof Pressure Burst Pressure Weight		Less than 100 milliseconds for 90% FSO Flat to 10 HZ 500 psi for all pressure ranges 2000 psi 28 oz. nominal
Connections** Pressure Electrical Model 210 Model 310		1/4" NPT (F) Belden 9536, 6 conductor, 24" long Belden 8723, 4 conductor, 24" long
Enclosure Materials		316 stainless steel

* See modifications on ordering guide.

ORDERING GUIDE

Ordering: Specify model, and pressure range and indicate modifications or accessories required. Only shaded codes and options are available with Explosion-Proof ratings.

Use The Following Codes To Identify Desired Item.

MODEL	SERIES	RANGE	PRESSURE TYPE	OPTIONS
•	—	•	—	•
•	—	•	—	• / • / •

Example
310-C-WX-2-CA/GH

MODEL

210 5 Vdc
310 4-20 mA

SERIES

B 0.5% FSO
C 0.2% FSO
D 0.1% FSO

PRESSURE CODE

2 Gage 8 Elevated 10 Compound
4 Vacuum 9 Other

PRESSURE RANGE

in. wc

WT	5	XM	150
WW	7.5	XO	200
WX	10	XQ	300
WZ	15	XS	500
XB	20	XU	750
XD	30	XW	1000
XF	50	XY	1500
XH	75	YA	2000
XK	100	SZ	Other

psi

PC	1	PR	20
PE	2	PT	30
PG	3	PV	50
PJ	5	RX	75
PL	7.5	PZ	100
PN	10	RB	150
PP	15	RD	200
SZ	Other		

OPTIONS

AA - None (standard connector)

ALTERNATE CONNECTOR OR CABLE

CA Bendix PTIH-10-6P (Mate PTO6E-10-6S [SR], not supplied)
CB Bendix CF3102E-14S-6P (Mate CF3106E-14S-6S, not supplied)
CE Terminal Block
CF 1/2" NPT (M) conduit connection with 24" leads
CZ Other

ALTERNATE PRESSURE PORT

FA MS33649-4 (1/4 & 10050)
FC 3/8" NPT (F)
FH 1/8" NPT (F)
FJ 1/4" NPT (M)
FZ Other

GENERAL

GB Alternate pressure range, pressure units, or full scale outputs that are non-standard
GE Improved temperature compensation to +/- 0.5% FSO / 100°F for zero and span respectively
GH Internal calibration resistor set to 100 +/- 0.5% FSO unless otherwise specified
GL Cleaning for oxygen service
GM Submersible housing, 8' polyurethane jacket cable, neoprene grommet, and conduit fitting. (Zero and span controls are not provided with this option)
GS 0-10 Vdc FSO. (Model 210 Requires 16-42 Vdc excitation)
HL RFI protection
JH Remote cable mounted zero and span controls
GZ Customer special

GP:50 New York Ltd. reserves the right to make product improvements and amendments to the product specification stated throughout this brochure without prior notification. Please contact the factory on all critical dimensions and specifications for verification.