

LOW RANGE, HIGH LINE DIFFERENTIAL PRESSURE TRANSDUCER/TRANSMITTER

Models 216, 316



W/OPTION CF



STANDARD



W/OPTION LB

FEATURES:

- Wet-wet DP measurement
- Full line pressure overload
- Small size
- Type 316 Stainless Steel All-welded construction
- NEMA-4 rated enclosure
- Attractively priced
- Zero and Span adjustment standard

PRESSURE RANGES:

- From 0-5 to 0-2000 in. wcd and 0-1 to 0-200 psid
- Bi-Directional Output available upon request (See ordering guide.)

LINE PRESSURE:

- 2000 psi standard, others available

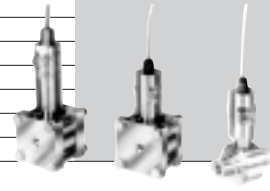
ACCURACY:

- To $\pm 0.1\%$ FSO (RSS)

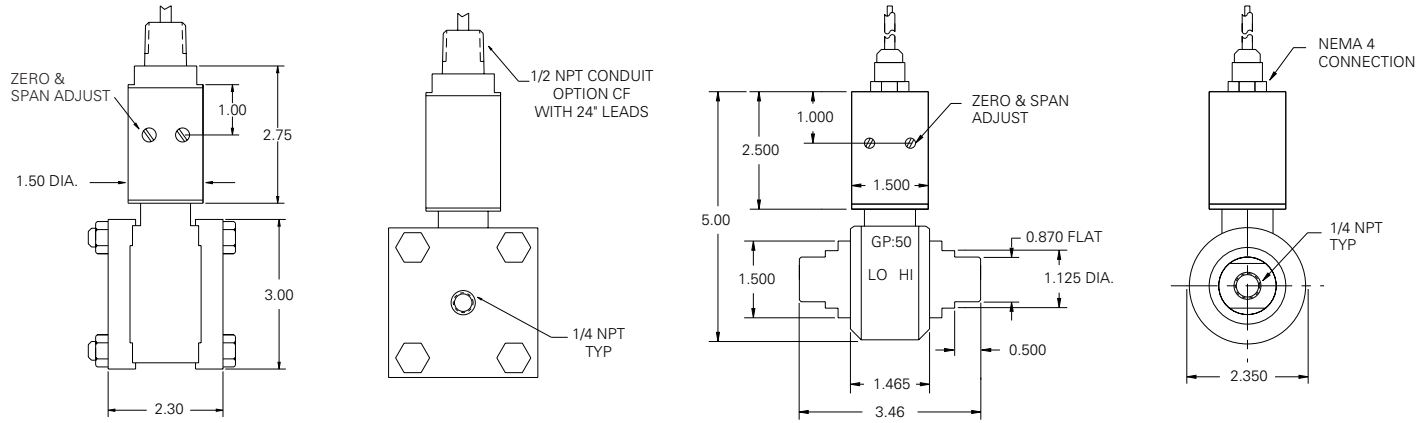
MODEL	OUTPUT @ 70° F	SUPPLY VOLTAGE
216	0 \pm 5 Vdc FSO	10.2-42 Vdc
316	4-20 mA FSO	13-37 Vdc
216X 316X	Explosion-Proof, Rated Class I, II, III, Division I Groups A, B, C, D, E, F, G. Shaded options and codes only available.	

GENERAL PURPOSE

OUTLINE



Some options will affect dimensions.
Consult factory if important.



WIRING CODE

WIRING CODE

		216	316
A/1	Red	+ Excit.	+ Excit./Signal
B/2	Green	+ Signal	NC
C/3	White	NC	NC
D/4	Black	- Excit./Signal	- Excit./Signal
E/5	Blue	NC	NC
F/6	Brown	NC	NC
	Shield	Open	Open

SPECIFICATIONS

Unless otherwise stated, these specifications are the standards to which the units are normally constructed. Alterations may be easily and readily accomplished by the standard modification code or by discussion with the factory. We invite your inquiry.

Accuracy (non-linearity, hysteresis, non-repeatability)	
Series B (Std.)	±0.5% FSO (RSS)
Series C	±0.2% FSO (RSS)
Series D	±0.1% FSO (RSS)
Base (Line) Pressure	2000 psi, maximum 3000 psi, maximum, options FP & LA 500 psi, maximum, option LB
Pressure Cavity Material	316 Stainless Steel and Viton O-Ring
Zero Shift with Base Pressure	Less than ±2% FSO/2000 psi for ranges 0-21" wc and higher Less than ±2% FSO/1000 psi for ranges 0-20" wc and lower
Resolution	Infinite (0.02% FSO practical minimum)
Temperature Limits	
Compensated	+30°F to +170°F
Operating	0°F to +180°F
Storage	-20°F to +200°F
Temperature Compensation	
Zero	Less than ±2.0% FSO/100°F
Span	Less than ±2.0% FSO/100°F
Electricals	
Output Loading (Model 216)	3000 ohms, minimum
Load Impedance, (Model 316)	1200 ohms maximum at 37 Vdc
Zero Balance	Adjustable to ±20% FSO
Span	Adjustable to ±20% FSO
Mechanicals	
Response Time	Less than 100 milliseconds for 90% FSO
Frequency Response	Flat to 10HZ
Stability	Less than ±0.25% FSO/6 months
Proof Pressure @ 70°F	2000 psi single ended is standard 3000 psi single ended for options FP & LA 500 psi single ended for option LB
Burst Pressure @ 70°F	4000 psi is standard 5000 psi for options FP & LA 750 psi for option LB
Weight	5.4 lbs., normal (std.) 6.5 lbs., options FP & LA 2.0 lbs., option LB
Connections	
Pressure	1/4" NPT (F)
Electrical	Cable (24 AWG) 24" long
Enclosure Materials	316 Stainless Steel

See modifications on ordering guide.

SPECIFICATIONS

