

FLANGE MOUNTED PRESSURE TRANSMITTER & TEMPERATURE PROBE

Models 335, 435 with FX, FY option



Shown with Option CF
1/2" NPT conduit

FEATURES:

- All-welded stainless steel construction
- State-of-the-art circuitry allows heavier diaphragm and increased fatigue life
- Standard options for every requirement
- HART Communication available (435)

PRESSURE RANGES:

- From 0-25 to 0-10,000 psig

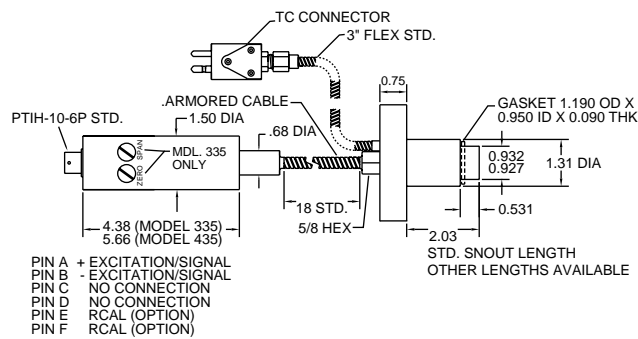
ACCURACY:

- 0.5% FSO standard, 0.25% FSO available
- 0.15% FSO available on Models 435

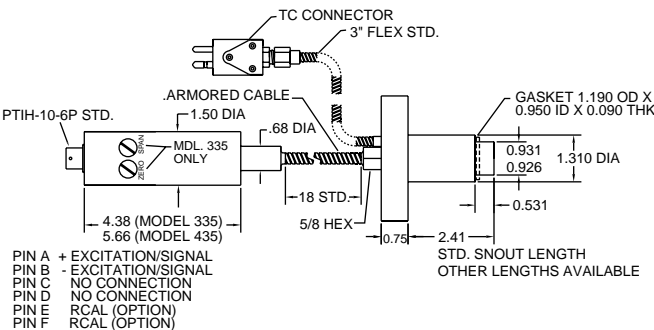
MODEL	OUTPUT @ 70°F	EXCITATION
335	4-20 mA ± 2% FSO	9-36 Vdc
435	4-20 mA ± 2% FSO	12-36 Vdc

MODELS 335, 435 w/ FX option

Units are inches.
Some options will affect dimensions.
Consult factory if important.



MODELS 335, 435 w/ FY option



PLASTIC MELT PRESSURE

SPECIFICATIONS

Unless otherwise stated, these specifications are the standards to which the units are normally constructed. Alterations may be easily and readily accomplished by the standard modification code or by discussion with the factory. We invite your inquiry.

Accuracy	Static Error Band (Non-linearity, Hysteresis, Non-repeatability, also includes Temperature effects for model 435)	$\pm 0.5\%$ FSO (RSS) (335), $\pm 0.5\%$ FSO (RSS) ranges less than 500 psi (435), $\pm 0.2\%$ FSO (RSS) 500 through 3500 psi (435), $\pm 0.15\%$ FSO (RSS) 5000 through 30000 psi (435)
Ranging (435 only)		3:1 25 through 2500 psi 5:1 3000 through 30000 psi
Material in Contact with Pressure Media		316 stainless steel / 15-5 PH diaphragm, Armoloy coated (hard chrome) Diamond, Boron or Titanium Nitride coatings optional
Proof Pressure		2 times full scale pressure range
Temperature Limits	Diaphragm Strain Gauge Housing	600°F (315°C) Standard Fill 176°F (80°C)
Temperature Effects	From Fill (335) Zero From Strain Gauge Housing (335) Zero Span Fill & Housing (435)	2 psi/100°F at diaphragm Less than $\pm 1.0\%$ FSO/100°F ($\pm 2.0\%$ FSO/100°C) Less than $\pm 1.0\%$ FSO/100°F ($\pm 2.0\%$ FSO/100°C) Included in accuracy
Electricals	Load Impedance (335) Load Impedance (435) Zero Balance (335) Zero Balance (435) Zero Pot. Adjustment (335) Span Pot. Adjustment (335)	1350 ohms maximum, at 36 Vdc and 750 ohms at 24 Vdc 1200 ohms maximum, at 36 Vdc and 600 ohms at 24 Vdc 4.0 mA $\pm 5\%$ FSO @ 70°F, vertical tip down 4.0 mA $\pm 0.2\%$ FSO @ 70°F, vertical tip down + 10% - 80% FSO on ranges below 500 psi $\pm 20\%$ FSO on ranges above 500 psi
Connections	Pressure Electrical Thermocouple	3.5" OD Flange, 3.25" OD Flange (see ordering guide) PTIH-10-6P connector Standard 2 pole, 7/16" pin spacing
Enclosed Materials		316 stainless steel
Mounting Torque		110 inch pounds max
Identification		Etched stainless steel nameplate welded to body.

ORDERING GUIDE

Use The Following Codes To Identify Desired Item.

MODEL	RANGE	OPTIONS
•	—	• / • / •

Example: 335-PO-FY

MODEL

335 4-20 mA
435 4-20 mA / Hart

PRESSURE RANGE

	psi	bar
PO	25	UL 2
PT	30	UM 3
PV	50	UN 5
PX	75	UP 7.5
PZ	100	UQ 10
RB	150	UR 15
RD	200	US 20
RE	250	UT 30
RF	300	UV 50
RH	500	UX 75
RJ	600	UY 100
RK	750	UZ 150
RM	1000	VA 200
RO	1500	VB 300
RR	2000	VC 350
RS	2500	VD 500
RT	3000	VE 700
RV	5000	VF 750
RX	7500	UA 1000
RZ	10000	SZ Non-Standard Pressure Range or Engineering Units

Ordering: Specify model, and pressure range and indicate modifications or accessories required.

OPTIONS

CF 1/2" NPT(M) thread with 36" leads for conduit connection

GENERAL

GB Alternate Electronic Output - specify zero and span output values
GP Hastelloy C-276 Diaphragm and Nose
GV Silicone Oil Fill. (Increases Thermal Shift) Consult factory, 600°F max
GX Mineral Oil Fill. (Increases Thermal Shift) Consult factory, 600°F max
GZ Customer Special
FX 3.25" Flange (2.03 Standard Snout Length)
FY 3.50" Flange (2.41 Standard Snout Length)
ME Internal Calibration Resistor set to 80% $\pm 0.5\%$ FSO
JA Removable 100 ohm 3 wire RTD

FLEX TUBING (18" Standard)

GT 30" Armored Capillary Tube
HS 9" Armored Capillary Tube
HV 24" Armored Capillary Tube
HY 12" Armored Capillary Tube
MT Non-Standard Flex Tube, Specify Length

SNOUT LENGTH

MU Non-Standard Snout Length, Specify

GP:50 reserves the right to make product improvements and amendments to the product specification stated throughout this brochure without prior notification. Please contact the factory on all critical dimensions and specifications for verification.