

SPIKE SERIES PRESSURE TRANSDUCER/TRANSMITTER

Models **M - Spike**
V - Spike
C - Spike

Ruggedized unit engineered for high cyclic applications, with improved protection against transient spikes.



FEATURES:

- Choice of outputs
- Optional electric connectors and pressure ports
- Small size (1.5" OD x 3.75" long)

PRESSURE RANGES:

- From 0-100 to 0-15,000 psig

SPECIFICATIONS:

- Standard accuracy 0.2% FSO
- 300% Proof pressure (22,500 max.)

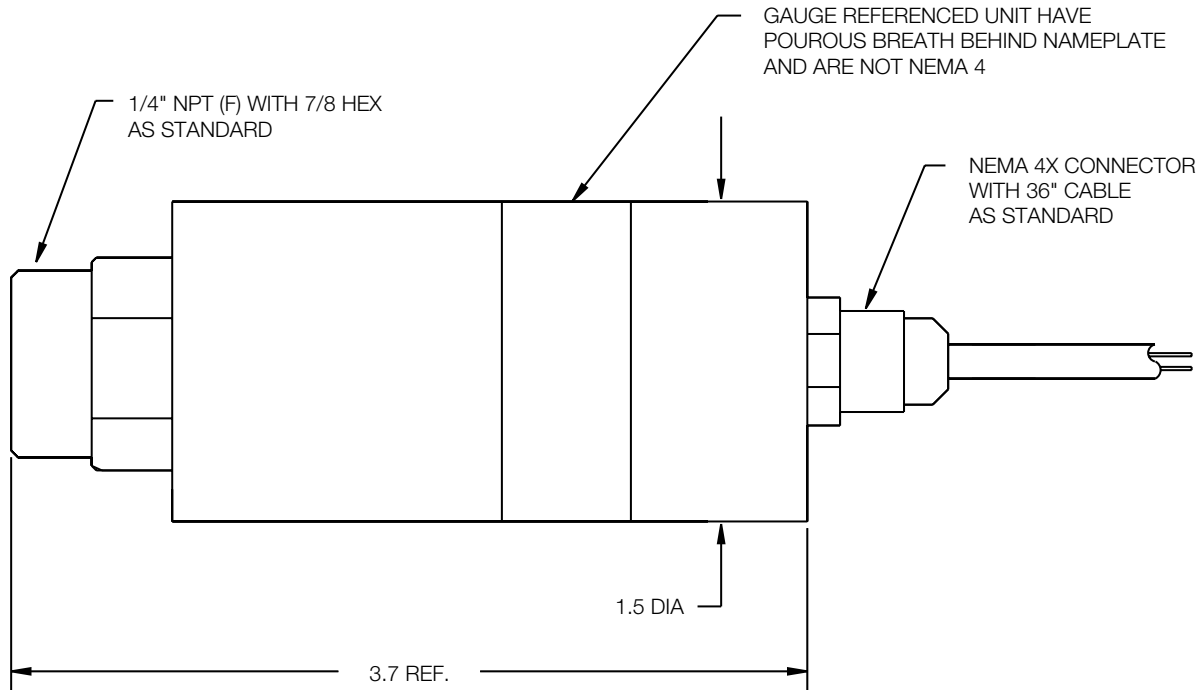
MODEL	OUTPUT @ 70°F	EXCITATION
M-Spike	3.0 mV/V	3.5-15 Vdc
V-Spike	0-5 Vdc	9-40 Vdc
C-Spike	4-20 mA	9-40 Vdc

GENERAL PURPOSE

OUTLINE



Some options will affect dimensions. Consult factory if important.
 Consult factory for Intrinsically Safe approved options.



WIRING CODE

		M-Spike	V-Spike	C-Spike
A/1	Red	+ Excit.	+ Excit.	+ Excit./Signal
B/2	Green	+ Signal	+ Signal	NC
C/3	White	- Signal	NC	NC
D/4	Black	- Excit.	- Excit./Signal	- Excit./Signal
E/5	Blue	NC	NC	NC
F/6	Brown	NC	NC	NC
	Shield	Open	Open	Open

SPECIFICATIONS

Unless otherwise stated, these specifications are the standards to which the units are normally constructed. Alterations may be easily and readily accomplished by the standard modification code or by discussion with the factory. We invite your inquiry.

Output span tolerance	±1% FSO @ 70°F		
Pressure Type (Standard)	Gauge/Non-Hermetic Seal (0-300 PSI and above) Gauge/Direct/Cable Vented (Below 0-300 PSI)		
Zero Balance	±1% FSO @ 70°F		
Wetted Material	316 and 15-5 PH Stainless Steel.		
Accuracy	Includes hysteresis, non-linearity, and repeatability)		
Temperature Limits			
Compensated	0°F to +180°F		
Operating	-20°F to +190°F		
Storage	-65°F to +250°F		
Temperature Effects			
Zero	Less than ±2% FSO/100°F		
Span	Less than ±2% FSO/100°F		
Electricals			
Input Impedance	M-Spike	5,000 ohm nominal, full bridge	
Input Current	V-Spike	8 mA nominal	
Load Impedance	M-Spike	50,000 ohms minimum, for less than 0.1% FSO attenuation	
	C-Spike	1200 ohms maximum at 37 Vdc and 600 ohms maximum at 24 Vdc	
Output Current	V-Spike	2.0 mA maximum for less than 0.1% FSO attenuation	
Calibration Signal	M-Spike	Resistance value provided on Calibration Card for 100 % FSO	
Mechanicals			
Proof Pressure	Three times full scale pressure range or 22,500 psi, whichever is less		
Burst Pressure	Five times full scale pressure range or 23,500 psi, whichever is less		
Weight	10 oz. nominal		
Connections			
Pressure	1/4" NPT (F) Standard		
Electrical	3' Polyurethane-jacketed, conductor cable (24 AWG Standard)		
Enclosure Material	316 Stainless Steel		

* See modifications on ordering guide.

ORDERING GUIDE

Ordering: Specify model, and pressure range and indicate modifications or accessories required.

Use the following codes to identify desired item.

MODEL	SERIES	RANGE	PRESSURE TYPE	OPTIONS
•	—	•	—	•
•	—	•	—	• / • / •

Example: C-Spike - B - PZ - 2 - CF

MODEL

M-Spike 3 mV/V
 V-Spike 0-5 Vdc
 C-Spike 4-20 mA

ACCURACY (Series)

C 0.2% FSO
 D 0.1% FSO

PRESSURE RANGE

PZ 0-100	RO 0-1.5K
RB 0-150	RR 0-2K
RD 0-200	RS 0-2.5K
RE 0-250	RT 0-3K
RF 0-300	RV 0-5K
RH 0-500	RX 0-7.5K
RJ 0-600	RZ 0-10K
RK 0-750	SB 0-15K
RM 0-1K	

PRESSURE TYPE

2 Gauge (ranges < 300 psi)
 7 Gauge (non-hermetic sealed gauge)
 3 Absolute
 6 Sealed Gauge (hermetically sealed)

OPTIONS

AA None

ELECTRICAL CONNECTIONS

AA NEMA-4X (w/36" Pigtail)
 CA Bendix 6-pin (or equiv.) Not recommended for ranges below 0-300 psi. Consult factory
 CJ DIN 43650 (w/mate) Hirschman type

PRESSURE PORTS

AA 1/4" NPT (F)
 FL 1/8" NPT (M)
 FJ 1/4" NPT (M)
 LH SAE (6) (M)
 LT SAE (4) (M)

GP:50 reserves the right to make product improvements and amendments to the product specification stated throughout this brochure without prior notification. Please contact the factory on all critical dimensions and specifications for verification.