

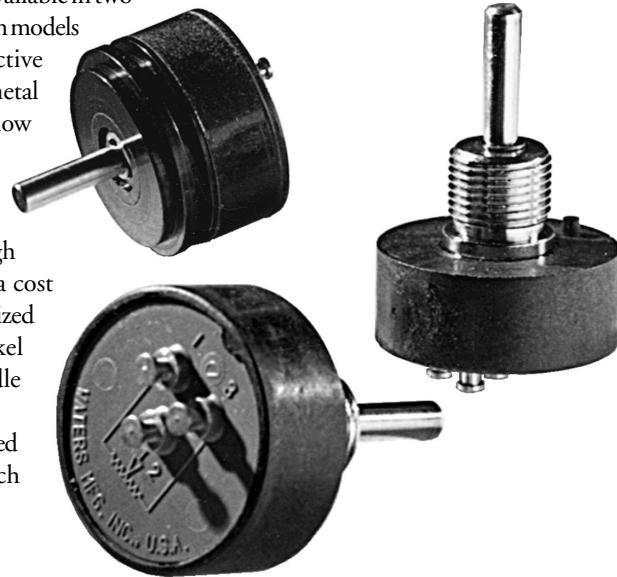
## APPLICATIONS

- ROBOTICS
- MEDICAL REHABILITATION EQUIPMENT
- ANIMATED CHARACTERS
- LABORATORY EQUIPMENT HANDLING
- WATER TREATMENT DEVICES
- PACKAGING EQUIPMENT
- OFFICE MACHINES

## M22 SERIES • ROTARY POTENTIOMETER

The M22 rotary potentiometer is available in two versions, a servo and bushing mount. Both models utilize wear resistant MystR® conductive plastic film combined with precious metal wipers to produce a quiet operating, low noise, stable signal. Gold plated terminals are designed to eliminate the tarnish factor often encountered in assembly soldering operations. The high quality components are packaged in a cost effective housing designed with an anodized aluminum face plate (M22S) or nickel plated brass bushing (M22B) to handle assembly and operating loads.

The M22 Series potentiometers are used in position sensing applications which demand high reliability at low cost.



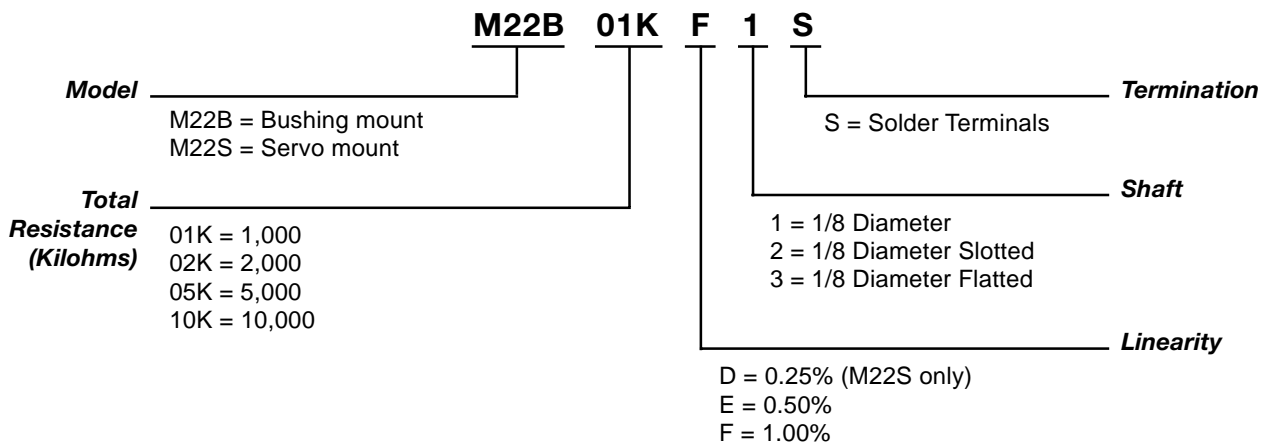
## FEATURES

- MystR® plastic element
- Integral terminations
- Nickel plated brass bushing (M22B)
- Aluminum face plate (M22S)

## BENEFITS

- Tested up to 25 million operations
- No internal lead wires to break under vibration
- M22B withstands assembly and operating loads
- M22S precision mounting

## HOW TO ORDER



Note: Not all combinations are available. Minimum quantity orders apply. Contact the factory for more details.

## TECHNICAL SPECIFICATIONS

MECHANICAL	M22B	M22S
Case Diameter	7/8 in. (22 mm)	7/8 in. (22 mm)
Total Mechanical Travel	330°	Continuous
Starting Torque (max)	1.0 oz in.	0.3 oz in.
Shaft Run Out (max)	NA	0.003 in.
Stop Strength	5 in. lb.	NA
Temperature Range	-40° to 85°C	
Life	25 million operations	
Bearings	sleeve	
Shock	50g 11 ms half sinc 100g 6 ms half sinc	
Vibration	20g rms 5Hz to 20 Hz	
Backlash	0.1°	
Total Weight	.42 oz. (12 g)	.35 oz. (9.8 g)
Terminals	gold plated	
<b>ELECTRICAL</b>		
Theoretical Electrical Travel	320°	340°
Independent Linearity	See how to order	
Total Resistance	See how to order	
Resistance Tolerance	± 20%	
Output Smoothness	0.1%	
Resistance Temperature Characteristic	± 5%	
Resolution	infinite	
Dielectric w/standing V	750 Vrms	
Maximum Applied Voltage (at 2000 Ohms)	30 Vdc	
Wiper Current (max)	<1 µA	
<b>OPTIONS</b>		
Shaft	Flat or Screwdriver slot	
Shaft Diameter	1/4 in.	NA
Anti-Rotation Pin	Available without	NA
Resistance Tolerance	10%	
Other Electrical Travel	Contact Factory	
Other Resistance Values	Contact Factory	

\* 5% to 95% of theoretical electrical travel.

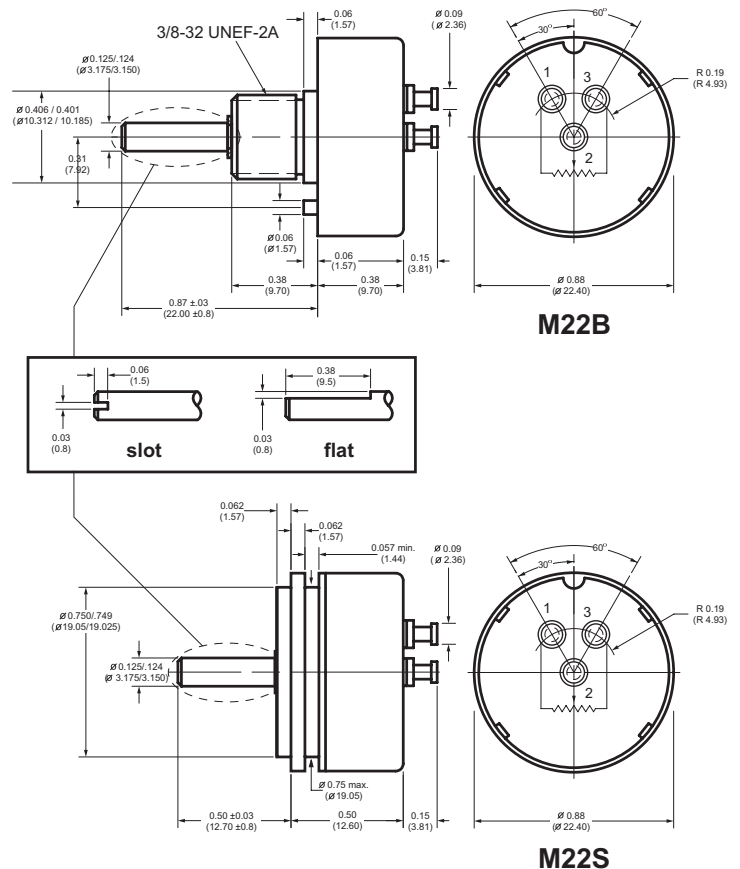
Caution: Do not test on an Ohm Meter on the Rx 1 scale or other current devices.

Caution: Excessive Wiper Current can cause Output errors or damage.

Caution: Zero shaft side load is recommended to achieve maximum life.

## DIMENSIONS

xx.xx = inches  
(xx.x) = mm



## WARRANTY/REMEDY

Honeywell warrants goods of its manufacture as being free of defective materials and faulty workmanship. Contact your local sales office for warranty information. If warranted goods are returned to Honeywell during the period of coverage, Honeywell will repair or replace without charge those items it finds defective. The foregoing is Buyer's sole remedy and is in lieu of all other warranties, expressed or implied, including those of merchantability and fitness for a particular purpose.

Specifications may change without notice. The information we supply is believed to be accurate and reliable as of this printing. However, we assume no responsibility for its use.

While we provide application assistance personally, through our literature and the Honeywell web site, it is up to the customer to determine the suitability of the product in the application.

Item # 1126100 M.G. 02/02 Rev. A

# Honeywell