

Short S Series Slip Ring Assembly

Models Short S4/X, S8/X

- ◆ 4 and 8 circuit slip rings
- ◆ Compact design
- ◆ Sealed against dust
- ◆ Color coded terminals
- ◆ Permanently lubricated bearings
- ◆ Rugged stainless steel construction
- ◆ Instrumentation quality rings and brushes



Description

The Michigan Scientific *Short S Series Slip Ring Assemblies* are utilized for a variety of applications requiring up to 8 circuit connections. They are designed to mount on the end of a rotating shaft and make electrical connection to strain gages, thermocouples, or other sensors that have been installed on rotating equipment. The slip ring brushes and rings are made of precious metals which minimize noise and enable the assemblies to be used for low level instrumentation signals. In addition, a high grade stainless steel case provides protection from dust and other contaminants.

The *Short S Series* models are available in 4 and 8 circuit slip ring assemblies. Connections are made through color coded solder terminals located on the slip ring rotor and a connector on the slip ring stator. Permanently lubricated bearings eliminate the need for routine cleaning and maintenance. The lightweight and compact design of these slip ring assemblies make them ideal for use in applications where limited space is available.

Specifications

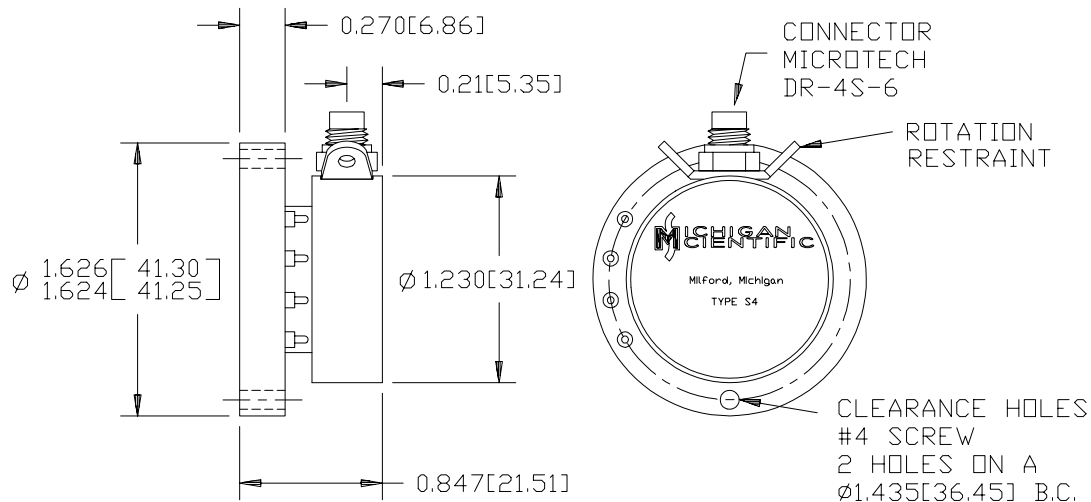
	S4/X	S8/X
Circuits	4	8
Current Capacity Per Circuit	500 mA	500 mA
Temperature Range*	-40°F to 250°F (-40°C to 121°C)	-40°F to 250°F (-40°C to 121°C)
RPM Rating	12000 RPM	12000 RPM
Maximum Peak Noise**	0.1 Ω	0.1 Ω
Weight	2.6 oz (74 g)	3.1 oz (88 g)
Length (see back)	0.847 in (21.51 mm)	1.047 in (26.59 mm)

*For operation below 0°F, specify low temperature lubricant.

**Resistance variation across slip ring contact.

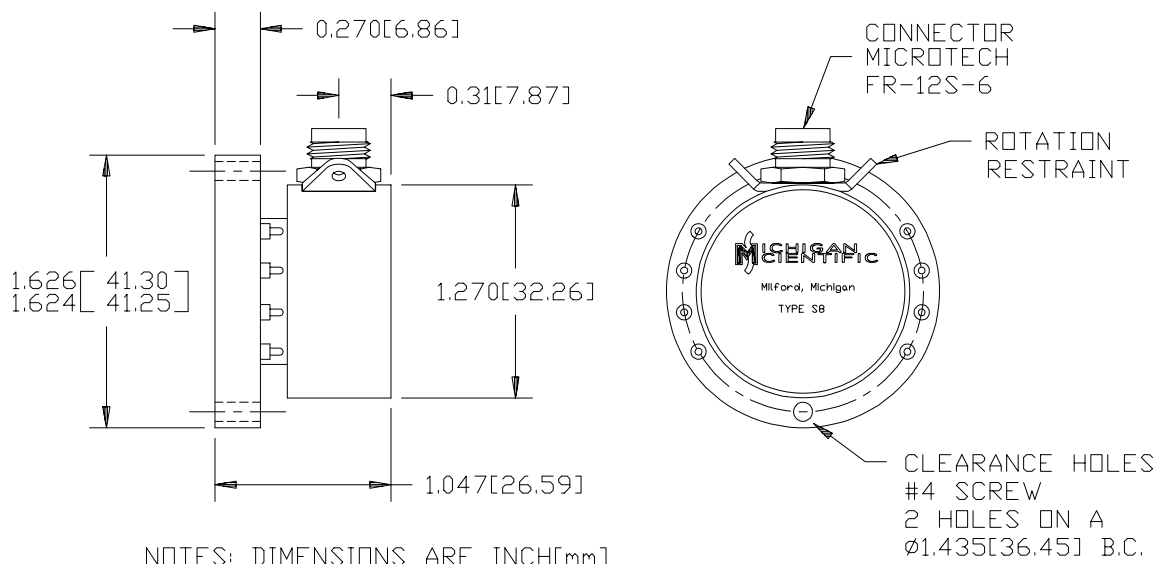
Short S Series Slip Ring Assembly

Short S4/X Configuration



NOTES: DIMENSIONS ARE INCH[mm]

Short S8/X Configuration



NOTES: DIMENSIONS ARE INCH[mm]

Mounting

These models can easily be mounted to the end of a shaft. Refer to the literature on S Series Slip Ring Assemblies for a detailed drawing and description of the mounting procedure.

Contact Michigan Scientific for applications in which the slip ring assemblies are subjected to extreme vibration.

Ordering Options

For information regarding slip ring accessories, refer to the "Price List and Accessories" section.