

MODEL 60060

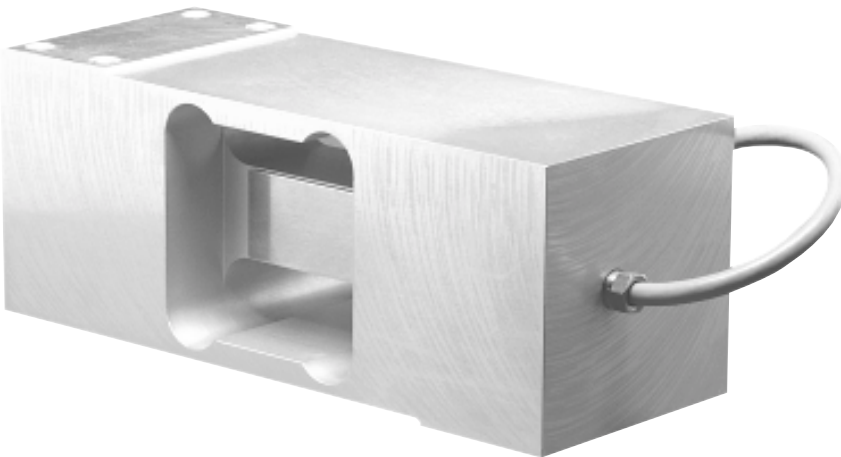
LOW PROFILE PLATFORM LOAD CELL

APPLICATIONS

- Single-point platform scales
- Belt conveyor scales
- Bench and counting scales
- Checkweighing scales
- Hopper scales and netweighing

FEATURES

- Rated capacities of 100 to 2,000 pounds
- Unique shear beam design
- Moment-compensated design for minimal sensitivity to moments induced by off-center loading
- Ideal for situations exceeding the capabilities of similar "brick" design load cells
- Trade certified for NTEP Class III:5,000 Divisions; Class IIII:10,000 divisions and OIML R60 3,000 divisions
- **Sensorgage™** sealed to IP67 standards
- **Cell Guard™** Two Year Warranty
- Factory Mutual System Approved for Classes I, II, III; Divisions 1 and 2; Groups A through G. Also, **Non-Incendive** ratings (No Barriers!)
- ISO 9001 Certified manufacturing facilities



Model 60060 Performance Specifications

Rated Capacities (lbs): 100, 250, 500, 750, 1K, 2K

Full Scale Output (FSO): 2.0 mV/V \pm 10%

Accuracy Class:	Standard	NTEP III ⁽¹⁾	NTEP IIII ⁽¹⁾	OIML R60 ⁽¹⁾
Max. No. Verification Intervals	--	5,000 Multiple	10,000 Multiple	3,000
Combined Error % FSO	≤ 0.03	--	--	--
Non-Linearity % FSO	≤ 0.03	--	--	--
Hysteresis % FSO	≤ 0.02	--	--	--
Creep Error % FSO	≤ 0.03 in 20 minutes	--	--	--
Temperature Effect on:				
• Zero % FSO/ $^{\circ}$ F	≤ 0.0015	--	--	--
• Output % of Load/ $^{\circ}$ F	≤ 0.0008	--	--	--
Non-Repeatability % FSO		$\leq .01$		
Zero Balance % FSO		≤ 1.0		
Insulation Resistance		> 1000 Mohms at 50VDC		
Compensated Temperature Range		14 $^{\circ}$ to 104 $^{\circ}$ F / -10 $^{\circ}$ to 40 $^{\circ}$ C		
Operating Temperature Range		0 $^{\circ}$ to 150 $^{\circ}$ F / -18 $^{\circ}$ to 65 $^{\circ}$ C		
Storage Temperature Range		-60 $^{\circ}$ to 185 $^{\circ}$ F / -50 $^{\circ}$ to 85 $^{\circ}$ C		
Input Resistance		400 Ohms Nominal		
Output Resistance		349-355 Ohms		
Recommended Excitation Voltage		10 Volts DC		
Maximum Excitation Voltage		15 Volts DC		
Sideload Rejection Ratio		500:1		
Safe Sideload		100% of Rated Capacity		
Safe Overload		150% of Rated Capacity		
Ultimate Overload		300% of Rated Capacity		
Sealing		Meets IP67 Standards		
Material		Aluminum		
Finish		Natural		
Moment Compensation:	<u>250 - 1,000 lbs.</u>		<u>2,000 lbs.</u>	
• Moment Sensitivity (lbs - inch)	$\leq 0.005\%$ of applied load		$\leq 0.005\%$ of applied load	
• Maximum Moment (lbs - inch)	10 x Capacity		10,000	
• Platform Size (inch)	30 x 30		30 x 30	

⁽¹⁾ Note: 250 to 2K Capacities Only

WIRING

FUNCTION	COLOR
+ Excitation	Red
- Excitation	Black
+ Output	Green
- Output	White

CAPACITY	Deflection	Weight
100 - 250	0.010	6.0
500 - 2K	0.006	6.0

Dimensions are in inches. Capacities are in pounds. Deflection is \pm 10%. Specifications are subject to change. Certified drawings are available.

4 CONDUCTOR; 22 AWG CABLE, SHIELDED & JACKETED; 10 FOOT STANDARD LENGTH OR PER SALES ORDER.

