

MODEL 65069 TWA

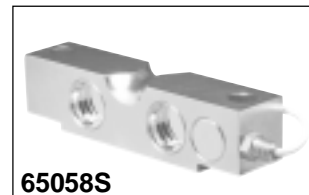
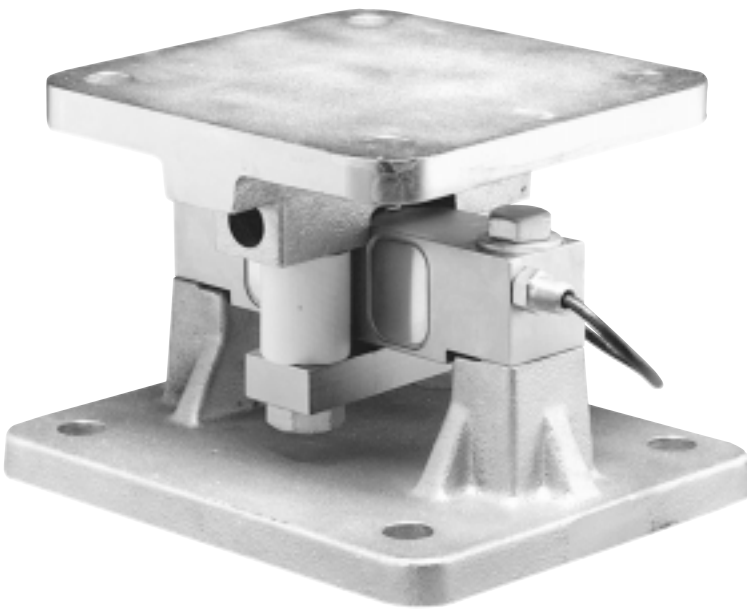
TANK WEIGHING ASSEMBLY

APPLICATIONS

- "Legal for Trade" weighing
- Tank, bin and hopper weighing
- Silo weighing
- Batching, blending, mixing and inventory monitoring

FEATURES

- Rated capacities of 20,000 to 200,000 pounds
- Mounts directly to the floor or structural support
- Self-checking with provisions for thermal expansion/contraction
- Insensitive to side loads and bending moments
- High output - well suited to high deadload/low liveload applications
- Load cells have matched outputs for multi-cell systems
- Integral conduit adaptor
- NTEP certified load cell model 65058
- Trade certified for NTEP Class III L:10,000 divisions; Class III:5,000 divisions and OIML R60 3,000 divisions
- **Sensorgage™** sealed to IP66/67 standards
- **Cell Guard™** Two Year Warranty
 - Factory Mutual System Approved for Classes I, II, III; Divisions 1 and 2; Groups A through G.
 - Also, **Non-Incendive** ratings (No Barriers!).
 - ISO 9001 Certified manufacturing facilities



65058S



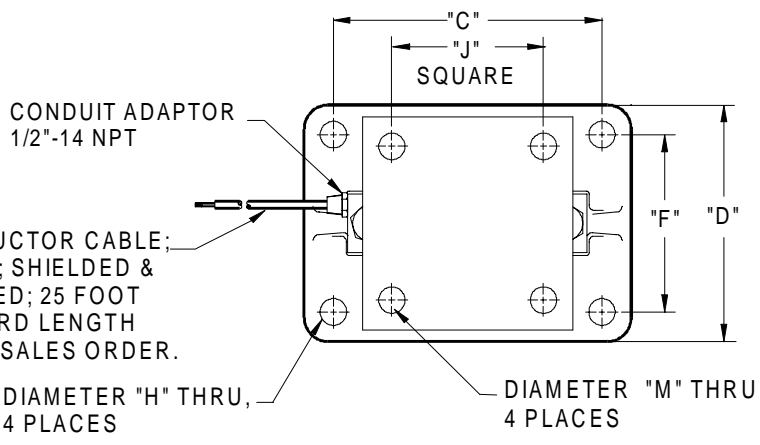
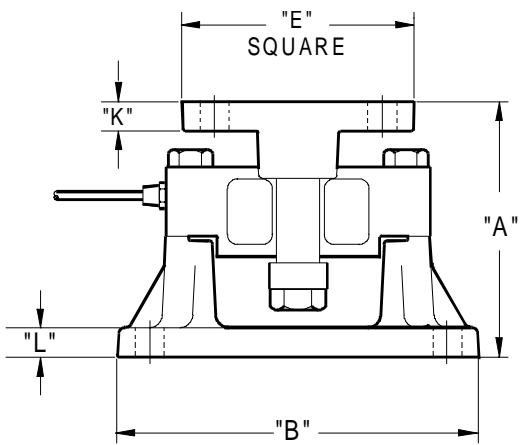
65058



Model 65069 TWA Performance Specifications

Rated Capacities (lbs): 20K, 25K, 30K, 40K, 50K, 60K, 75K, 100K, 200K
 Full Scale Output (FSO): 3.0 mV/V ± 0.25%

Accuracy Class:	Standard	NTEP III	NTEP IIII	OIML R60
Max. No. Verification Intervals	--	5,000 Multiple	10,000 Multiple	3,000
Combined Error % FSO	≤ .03	--	--	--
Non-Linearity % FSO	≤ .03	--	--	--
Hysteresis % FSO	≤ .02	--	--	--
Creep Error % FSO	≤ .03 in 20 minutes	--	--	--
Temperature Effect on:				
•Zero % FSO/°F	≤ 0.0015	--	--	--
•Output % of Load/°F	≤ 0.0008	--	--	--
Non-Repeatability % FSO			≤ .01	
Zero Balance % FSO			≤ 1.0	
Insulation Resistance		> 1000 Mohms at 50VDC		
Compensated Temperature Range		14° to 104°F / -10° to 40°C		
Operating Temperature Range		0° to 150°F / -18° to 65°C		
Storage Temperature Range		-60° to 185°F / -50° to 85°C		
Input Resistance		686-714 Ohms		
Output Resistance		699-707 Ohms		
Recommended Excitation Voltage		15 Volts DC		
Maximum Excitation Voltage		25 Volts DC		
Sideload Rejection Ratio		500:1		
Safe Sideload		100% of Rated Capacity		
Safe Overload				
•Compression		150% of Rated Capacity		
•Tension		100% of Rated Capacity		
Ultimate Overload				
•Compression		300% of Rated Capacity		
•Tension		200% of Rated Capacity		
Sealing Material:		Alloy Tool Steel or Stainless Steel Ductile Iron		
•Load Cell				
•Assembly				
Finish:		Electroless Nickel Yellow Zinc		
•Load Cell				
•Assembly				



WIRING

FUNCTION	COLOR
+ Excitation	Red
- Excitation	Black
+ Output	Green
- Output	White

CAPACITY	A	B	C	D	E	F	H	J	K	L	M	Weight
20K - 25K	6.50	10.00	7.50	8.00	8.00	6.00	0.78	6.00	0.75	0.75	0.78	44
30K - 40K	7.80	14.00	11.50	10.00	8.00	7.50	1.12	6.00	0.75	1.00	0.78	71
50K - 100K	9.50	14.00	11.50	10.00	9.00	7.50	1.12	6.50	1.00	1.00	1.12	110
200K	14.75	25.00	20.00	16.00	12.00	11.00	1.63	8.00	1.50	1.50	1.63	335

Dimensions are in inches. Capacities are in pounds. Specifications are subject to change. Certified drawings are available.



1 Scarsdale Road, Don Mills, ON M3B 2R2
 Tel: 416-445-5500, Fax: 416-445-1170
 Toll Free: 1-800-465-1600
 E-Mail: sales@intertechnology.ca