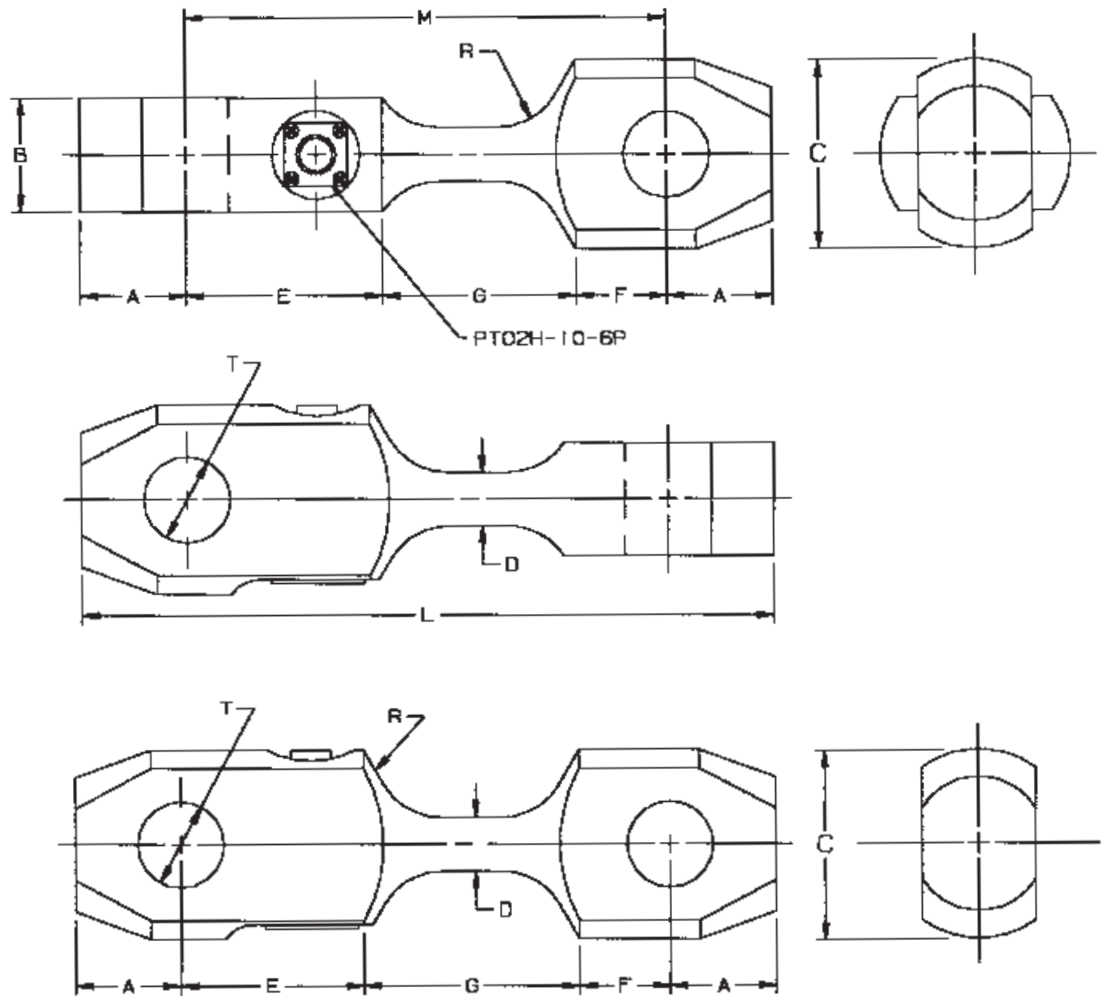




# Force Sensing Tension Links with Pivot Ends

TLLR and TLLF Series



# Force Sensing Tension Links with Pivot Ends

TLLR and TLLF Series

CAP KIPS	A	B	C DIA.	D DIA.	E	F	G	L	M	R RAD.	T DIA.	SAFETY FACTOR	WT. LBS.
1*	7/8	1-7/16	2	0.475	2-7/16	3/8	2-7/16	7	5-1/4	1/2	5/8	4.5	1.3
2*	7/8	1-7/16	2	0.545	2-1/2	3/8	2-3/8	7	5-1/4	1/2	5/8	4.5	1.3
3*	7/8	1-7/16	2	0.608	2-9/16	3/8	2-5/16	7	5-1/4	1/2	5/8	4.5	1.3
4*	7/8	1-7/16	2	0.665	2-9/16	3/8	2-5/16	7	5-1/4	1/2	5/8	4.5	1.3
5*	7/8	1-7/16	2	0.718	2-5/8	3/8	2-1/4	7	5-1/4	1/2	5/8	4.5	1.3
6*	7/8	1-7/16	2	0.767	2-5/8	3/8	2-1/4	7	5-1/4	1/2	5/8	4.5	1.3
10*	1-1/4	1-7/16	2	0.968	3-1/16	1-1/16	2-5/8	9-1/4	6-3/4	1/2	1	4.5	2
20	1-1/4	1-7/16	2	0.802	3	1-1/16	2-11/16	9-1/4	6-3/4	1/2	1	2.7	5.5
25	1-1/4	1-7/16	2	0.875	2-15/16	1-1/16	2-3/4	9-1/4	6-3/4	1/2	1	2.9	5.5
50	1-3/4	1-1/2	2-7/8	1.174	3	1-9/16	3-15/16	12	8-1/2	1	1-3/8	2.7	10.5
60	1-3/4	1-1/2	2-7/8	1.274	3-1/16	1-9/16	3-7/8	12	8-1/2	1	1-3/8	2.7	10.7
75	1-15/16	1-13/16	3-1/4	1.411	3-1/16	1-9/16	4-3/8	12-7/8	9	1	1-9/16	2.6	15
100	2-3/16	2-1/8	3-1/2	1.614	3-1/2	1-11/16	4-5/8	14-3/16	9-13/16	1	1-13/16	2.6	19.2
125	2-3/8	2-1/4	3-7/8	1.794	3-15/16	1-7/16	5-1/8	15-1/4	10-1/2	1	2	2.6	24
150	2-9/16	2-1/2	4-1/8	1.957	3-3/8	2-1/16	5-5/16	15-7/8	10-3/4	1	2-1/4	2.6	30
200	2-13/16	2-3/4	4-3/4	2.249	3-7/16	2-1/4	5-15/16	17-1/4	11-5/8	1	2-1/2	2.4	41
250	3-1/16	3	5-1/4	2.507	4-1/2	2-1/2	5-3/4	18-7/8	12-3/4	1	2-3/4	2.4	54
300	3-3/16	3-1/4	5-3/4	2.704	5	2-3/4	6-1/2	20-5/8	14-1/4	1	3	2.4	69
400	4-1/4	4-3/4	6-3/8	3.105	4-1/2	3-3/4	7	23-3/4	15-1/4	1-1/2	3-1/4	2.4	107

\* Aluminum Alloy: 7075-T6; Hard Coat Finish; Rockwell C-60. All others 17-4 Stainless Steel, H-1025.

All dimensions in inches.

## ORDERING INFORMATION

### TLLR -100 (SS) X

