

# Model 620

## S-Type Load Cells



### Features

- ◆ Capacities: 500 - 5000 kg ( - lbs)
- ◆ Stainless steel construction
- ◆ Fully welded protection, to IP68
- ◆ For use in tension & compression
- ◆ 6 Wire (sense) circuit
- ◆ OIML, NTEP and EEx ia approved

Model 620 is an advanced concept in providing the weighing industry with the ultimate protection necessary for today's hostile weighing environment.

Its all welded sealing combined with high accuracy, make this load cell ideally suited for lever conversions, hopper / tanks and vibratory feeders, general process weighing and force measurement applications. It is approved by OIML to R60, up to 3000 divisions.

Hermetically sealed against moisture, the construction of the model 620 combined with polyurethane dual shielded cable enables the load cell to function in harsh environments whilst maintaining its operating specifications.

The two additional sense wires feed back the voltage reaching the load cell. Complete compensation of changes in lead resistance due to temperature change and / or cable extension, is achieved by feeding this voltage into the appropriate electronics.

**TEDEA** **th**  
**HUNTLEIGH**  
EXCELLENCE IN LOAD CELLS

**INTERTECHNOLOGY**  
INC.

1 Scarsdale Road, Don Mills, ON M3B 2R2  
Tel: 416-445-5500, Fax: 416-445-1170  
**Toll Free: 1-800-465-1600**  
E-Mail: [sales@intertechnology.ca](mailto:sales@intertechnology.ca)

# Model 620

# S-Type Load Cells

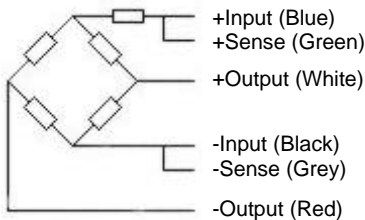
GRADE	Z	E	F	C3	UNITS
Rated Capacities**	500, 1000, 2000, 5000				kg
Rated Output	2.2 ± 10%	2.0 ± 0.1%	2.0 ± 0.10%	2.0 ± 0.10%	mV/V
Total Error*	0.075	0.050	0.030	0.020	±% of Applied Load
Zero Return After 30 Minutes	0.065	0.050	0.025	0.017	±% of Applied Load
Temperature Effect: On Output	0.0070	0.0040	0.0014	0.0012	±% of Applied Load / °C
Temperature Effect: On Zero	0.0150	0.0070	0.0030	0.0023	±% of Rated Load Output / °C
Zero Balance	5.0	3.0	2.0	2.0	±% of Rated Output
Temperature Range: Operating	-30 to +80				°C
Temperature Range: Compensated	-10 to +40				°C
Safe Overload	150				% of Rated Capacity
Ultimate Overload	300				% of Rated Capacity
Excitation: Recommended	10				Volts AC or DC
Excitation: Maximum	15				Volts AC or DC
Input Impedance	400 ± 320				Ohms
Output Impedance	350 ± 3				Ohms
Insulation Impedance	>1000				Mega Ohms
Deflection at Rated Capacity	<0.4				mm
Weight: 500, 1000, & 2000 kg	0.9				kg
Weight: 5000 kg	1.9				kg
Construction	Stainless Steel				
Environmental Protection	IP 68				
Cable	5 Meters (Standard), 6 Wire, Polyurethane Jacket, Dual Floating				
Approvals					

\*Total Error - According to OIML R60

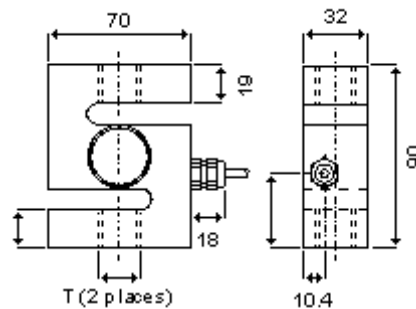
\*\*C1 & C2 grades are also available

## Wiring Schematic Diagram

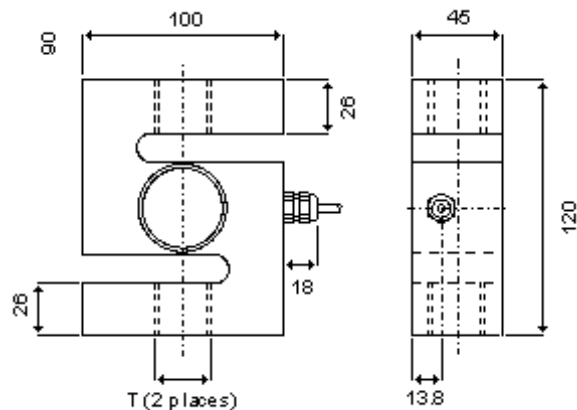
(1010 unbalanced bridge configuration)



## Outline Dimensions Capacities 500, 1000, 2000 kg (in mm)



## Outline Dimensions Capacities 5000 kg ONLY (in mm)



Thread Type	'T' By Capacity
Capacity	Thread Type
500 kg	M12 x 1.75
1000 kg	M16 x 2.0
2000 kg	M16 x 2.0
5000 kg	M24 x 2.0