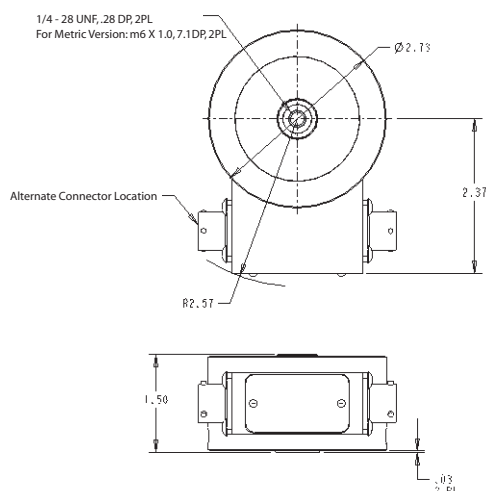
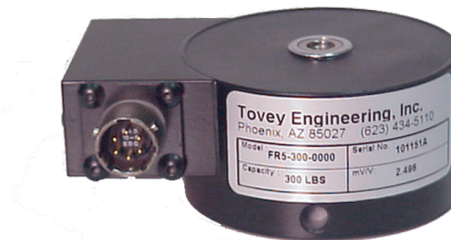


LOW CAPACITY FATIGUE RATED (FR5) SERIES LOAD CELLS

FEATURES

- Fatigue Rated
- Small Scale
- Sealed
- Static Error Band .05%
- In-line Loading Holes



SPECIFICATIONS

PARAMETERS	MODEL FR5 CAPACITY (lbf) 50, 100, 300
Accuracy	
Static Error Band, % R.O.	+/- 0.05
Non linearity, % R.O..	+/- 0.05
Hysteresis, % R.O.	+/- 0.05
Non-Repeatability, % R.O.	+/- 0.01
Creep, % Reading in 20 Minutes	+/- 0.05
Zero Balance, % R.O.	+/- 1.0
Temperature	
Range, Compensated, °F	+15 to +115
Range, Operating, °F	-65 to +200
Effect on Sensitivity, % Rdg/100 °F	0.20
Effect on Zero, %R.O./100 °F	0.15
Electrical	
Excitation Voltage, Recommended, Vdc	10
Input resistance, Ohms	700 +80/-7
Output Resistance, Ohms	700 +80/-7
Sensitivity (Rated Output), mV/V, Nominal	2
Insulation Resist., Bridge/Case, Meg Ohm	5000 (@ 50 VDC)
Mechanical	
Safe Overload Range, % R.O.	150
Weight (lbs.)	.8
Flexure Material	Aluminum

OPTIONS

- Additional bridges
- Output adjustment to standard value
- Compression overload protection
- Integral cable
- Custom connectors

ACCESSORIES

- Mating connector
- Loading fixtures
- Interconnect cable
- Shunt calibration resistor
- Instrumentation

TOVEY ENGINEERING

INTERTECHNOLOGY
INC.

1-800-465-1600

1 Scarsdale Rd., Don Mills, ON M3B 2R2

Tel: 416-445-5500, Fax: 416-445-1170

E-Mail: sales@intertechnology.ca