

FATIGUE RATED STAINLESS STEEL (FRS) SHEAR WEBS

FEATURES

- All Stainless Steel
- Welded Diaphragm
- 100 Million Fully Reversed Cycles
- Guaranteed Maximum Off-Center Load and Moment Error
- Low Creep
- Low Susceptibility to Magnetic Fields
- Barometric Pressure Compensation
- Temperature Compensated



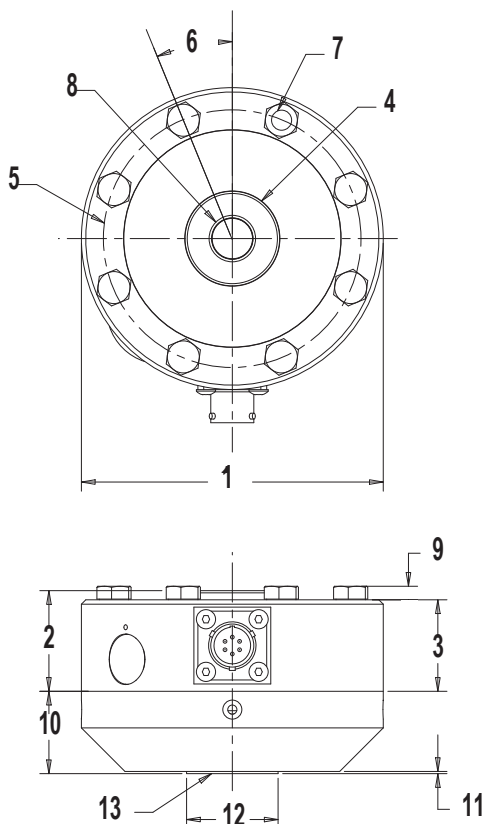
SPECIFICATIONS

PARAMETERS	MODEL	
	FRS10	FRS20
	CAPACITY (lbf)	
	2.5K, 5K	12.5K, 25K
Accuracy		
Zero Balance, % R.O.	+/- 1.0	+/- 1.0
Non linearity, % R.O..	+/-0.05	+/- 0.05
Hysteresis, % R.O.	+/-0.06	+/-0.06
Non-Repeatability, % R.O.	+/- 0.01	+/- 0.01
Static Error Band, % R.O.	+/-0.05	+/- 0.05
Creep, % Reading in 20 Minutes	+/- 0.03	+/- 0.03
Off-Center Load Sensitivity, % /inch	+/- 0.25	+/- 0.25
Side Load Sensitivity, %	+/- 0.25	+/- 0.25
Temperature		
Range, Compensated, °F	+15 to +115	+15 to +115
Range, Operating, °F	-65 to +200	-65 to +200
Effect on Sensitivity, % Rdg/100 °F	0.08	0.08
Effect on Zero, %R.O./100 °F	0.15	0.15
Electrical		
Excitation Voltage, Recommended, Vdc	10	10
Input resistance, Ohms	350 +40/-3.5	350 +40/-3.5
Output Resistance, Ohms	350 +/- 3.5	350 +/- 3.5
Sensitivity (Rated Output), mV/V, Nominal	2	2
Insulation Resist., Bridge/Case, Meg Ohm	5000 @ 50 VDC	5000 @ 50 VDC
Mechanical		
Safe Overload Range, % R.O.	300	300

SHEAR WEB LOAD CELLS

DIMENSIONS

Review Drawing	MODEL	
	FRS10	FRS20
	CAPACITY (lbf)	
	2.5K, 5K	12.5K, 25K
1-CELL & BASE DIAMETER	(in inches) 4.12	6.06
2-CELL HEIGHT TO HUB	1.38	1.75
3-CELL BODY HEIGHT	1.25	1.63
4-HUB DIAMETER	1.29	2.34 12K/2.58 25K
5-MOUNTING B.C. DIAMETER	3.50	5.13
6-SYMMETRIC B.C. OFFSET	22.5 Degrees	15 Degrees
7-MTG. HOLE DIAMETER	0.28	0.41
8-HUB THREAD	5/8 - 18. 1.12 Dp.	1 1/4 - 12. 1.50 Dp.
9-BOLT HEAD PROTRUSION	0.20	0.30
10-BASE THICKNESS. TOTAL	1.13	1.75
11-BASE STEP HEIGHT	0.03	0.03
12-BASE STEP DIAMETER	1.25	2.25
13-BASE THREAD	5/8 -18. .88 Dp	1 1/4 - 12. 1.50 Dp.



OPTIONS

- Additional bridges
- Output adjustment to standard
- Compression overload protection
- Integral cable
- Custom connectors

ACCESSORIES

- Mating connector
- Loading fixtures
- Interconnect cable
- Shunt calibration resistor
- Instrumentation

INTERTECHNOLOGY
INC.
1-800-465-1600

1 Scarsdale Road, Don Mills, ON M3B 2R2
Tel: 416-445-5500, Fax: 416-445-1170
E-Mail: sales@intertechnology.ca