

# PREMIUM "S" TYPE (SSC) SERIES LOAD CELLS

## FEATURES

- Premium Version of the Standard "S" Cell
- Designed for the Test Measurements Market
- In-Line Loading
- Sealed for Environmental Protection
- Bayonet Connector for 500 lbf and above
- 10' Cable for 250 lbf and below
- 3pt Tension Calibration
- Proprietary Modulus Compensated Strain Gages

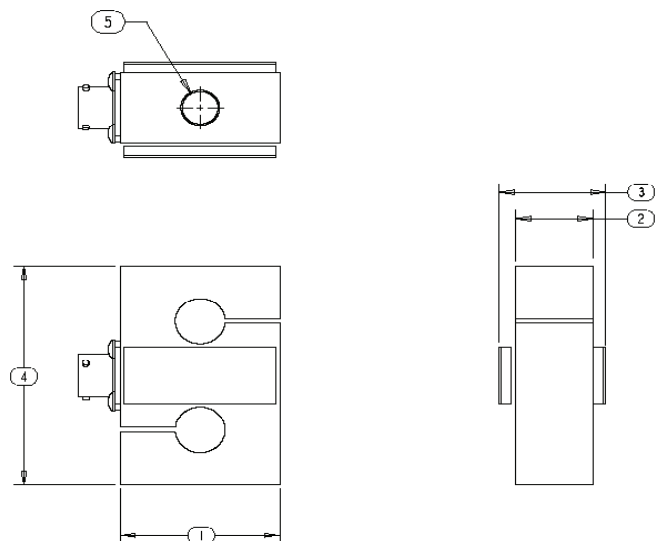


## SPECIFICATIONS

Model	SSC	
	50, 100, 250, 500, 1K	2K, 3K, 5K
Capacity	U.S. lbf.	
<b>PARAMETERS</b>		
<b>ACCURACY</b>		
Static Error Band, % Rated Output	+/-0.030	+/-0.050
Nonlinearity, % Rated Output	+/-0.030	+/-0.050
Hysteresis, % Rated Output	+/-0.030	+/-0.050
Nonrepeatability, % Rated Output	+/-0.010	+/-0.010
Creep, % in 20 minutes	+/-0.030	+/-0.030
Zero Balance, % Rated Output	+/-1.0	+/-1.0
<b>TEMPERATURE</b>		
Range, Compensated, °F	+15 to +115	+15 to +115
Range, Compensated, °C	-10 to +45	-10 to +45
Range, Operating, °F	-65 to +200	-65 to +200
Range, Operating, °C	-55 to +90	-55 to +90
Effect on Sensitivity, % Rdg/ °F	+/-0.0008	+/-0.0008
Effect on Sensitivity, % Rdg/ °C	+/-0.0015	+/-0.0015
Effect on Zero, % Rated Output/ °F	+/-0.0015	+/-0.0015
Effect on Zero, % Rated Output/ °C	+/-0.0027	+/-0.0027
<b>ELECTRICAL</b>		
Rated Output, mV/V, Nominal	3	3
Excitation Voltage, VDC Recommended/Max	10/15	10/15
Input Resistance, Ohms	350 +40/ -3.5	350 +40/ -3.5
Output Resistance, Ohms	350 +/- 3.5	350 +/- 3.5
Insulation Resistance, Megohm	5000 (@ 50 VDC)	
Bayonet Connector	PT02E-10-6P (MS3112E-10-6P)	
<b>MECHANICAL</b>		
Safe Overload Range, % Rated Capacity	+/-150	+/-150
Weight lb	0.5	1.2
Flexure Material	Aluminum	Stainless Steel

## DIMENSIONS

Capacity lbf.	1	2	3	4	5
50	2.00	.48	.80	2.50	1/4 - 28 UNF -2B
100	2.00	.48	.80	2.50	1/4 - 28 UNF -2B
250	2.00	.48	.80	2.50	1/4 - 28 UNF -2B
500	2.00	.97	1.30	3.00	1/2 - 20 UNF -2B
1K	2.00	.97	1.30	3.00	1/2 - 20 UNF -2B
2K	2.00	.97	1.30	2.97	1/2 - 20 UNF -2B
3K	2.00	.97	1.30	2.97	1/2 - 20 UNF -2B
5K	2.50	1.47	1.80	3.47	5/8 - 18 UNF -2B



## OPTIONS

Output adjustment to standard  
Integral cable  
Special connector  
Metric Capacities  
3pt Tension & Compression  
Calibration

## ACCESSORIES

Mating connector  
Loading fixtures  
Interconnect cable  
Shunt calibration resistor  
Instrumentation

© 2011 Tovey Engineering, Inc.